

Overview



SITRANS LVS100 is a vibrating point level switch for material detection in bulk solids.

Benefits

- High resistance to mechanical forces
- Sliding sleeve options for adjustable insertion length and ease of cleaning
- Rotatable enclosure for ease of installation and wiring
- Suitable for point level detection of materials starting at a bulk density of 30 g/l (1.9 lb/ft³)
- Customer desired extensions up to 4 000 mm (157.48 inch)

Application

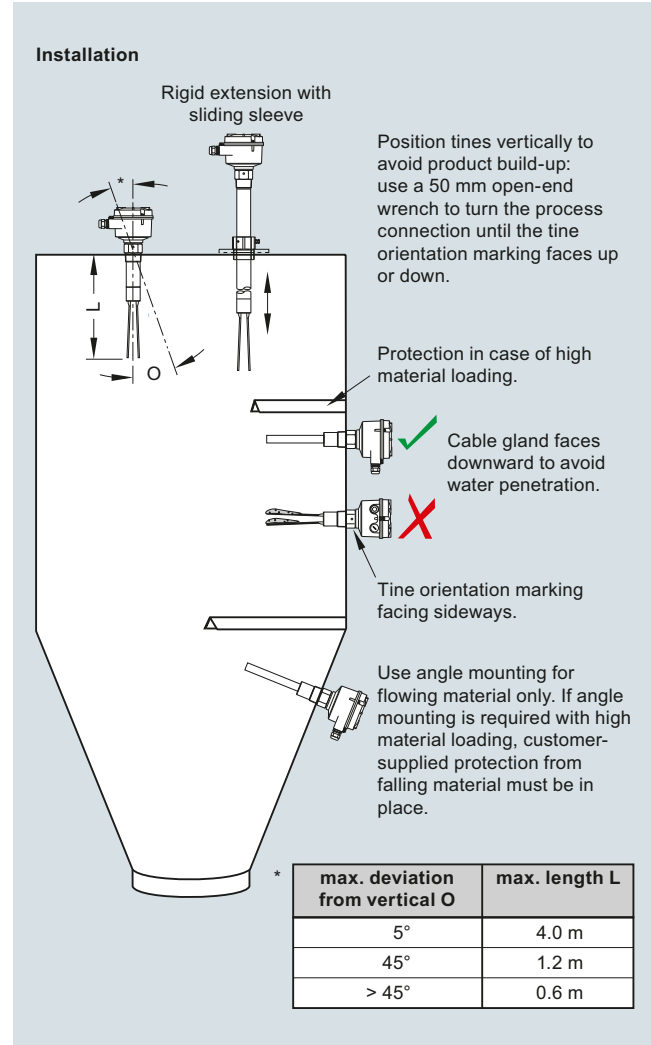
SITRANS LVS100 detects high, low or demand levels of dry bulk solids in bins, silos or hoppers.

SITRANS LVS100 has a compact design and can be top, side, or angle mounted. The vibrating fork design ensures the tines are kept clean. The unique design of the fork and crystal assembly eliminates false high level readings even if tines become damaged.

A signal from the electronic circuit excites a crystal in the probe causing the fork to vibrate. If the fork is covered by material, the change in vibration is detected by the electronic circuitry which causes the relay to change state after a one second delay. When the fork is free from material pressure, full vibration resumes and the relay reverts to its normal condition.

- Key Applications: dry bulk solids in bins, silos, hoppers

Configuration



SITRANS LVS100 installation, dimensions in mm (inch)

Level measurement

Point level measurement

Vibrating switches

SITRANS LVS100

Technical specifications

Mode of Operation	
Measuring principle	Vibrating point level switch
Input	
Measured variable	High, low and demand
Measuring frequency	200 Hz
Output	
Relays	DPDT relay
Relay delay	From loss of vibration: approximately 1 second From resumption of vibration: approximately 1 ... 2 s
Signal delay	Probe uncovered to covered: approximately 1 s Probe covered to uncovered: approximately 1 ... 2 s
Relay fail-safe	High or low, switch selectable
Alarm output	Relay 8 A at 250 V AC, non-inductive Relay 5 A at 30 V DC, non-inductive
Sensitivity	
	High or low, switch selectable
Rated operating conditions	
Installation conditions	
• Location	Indoor/outdoor
Ambient conditions	
• Ambient temperature	-40 ... +60 °C (-40 ... +140 °F)
• Storage temperature	-40 ... +80 °C (-40 ... +176 °F)
• Installation category	III
• Pollution degree	2
Medium conditions	
• Process temperature	-40 ... +150 °C (-40 ... +302 °F)
• Max. threaded bushing temperature	80 °C (176 °F)
• Max. enclosure surface temperature (Category 2D)	90 °C (194 °F)
• Max. extension surface temperature (Category 1D)	150 °C (302 °F)
• Pressure (vessel)	Max. 10 bar g (145 psi g) European Pressure Directive 2014/68/EU: Category 1
Minimum material density	Approx. 30 g/l (1.9 lb/ft ³)

Design	
Material	Epoxy coated aluminum
• Enclosure	
Process connection	<ul style="list-style-type: none"> • Thread 1¼" NPT [(Taper), ANSI/ASME B1.20.1], R 1½" [(BSPT), EN 10226] • Thread R 1½" [(BSPT), EN 10226], ½" NPT [(Taper), ANSI/ASME B1.20.1], sliding sleeve [min. length 500 mm (19.69 inch)] • Thread material: stainless steel 304 (1.4301) or 316L (1.4404) depending on configuration
Tine material	Stainless steel 316L (1.4404)
Degree of protection	IP66/Type 4/NEMA 4
Conduit entry	2 x M20 x 1.5 or 2 x ½" NPT (For FM and CSA approved versions only.)
Weight	Standard version, no extensions: approx. 1.7 kg (3.7 lb)
Power supply	
	<ul style="list-style-type: none"> • 19 ... 230 V AC, +10 %, 50 ... 60 Hz, 8 VA • 19 ... 40 V DC, +10 %, 1.5 W
Certificates and approvals	
	<ul style="list-style-type: none"> • CSA/FM General Purpose • CE • CSA/FM Dust Ignition Proof • RCM • ATEX II 1/2 D • IECex

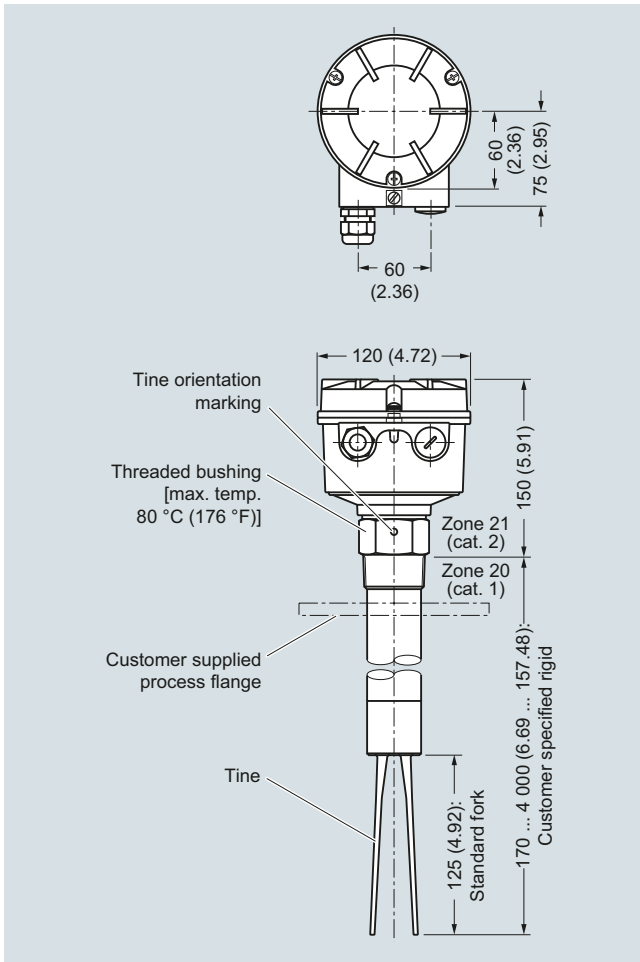
Level measurement

Point level measurement

Vibrating switches

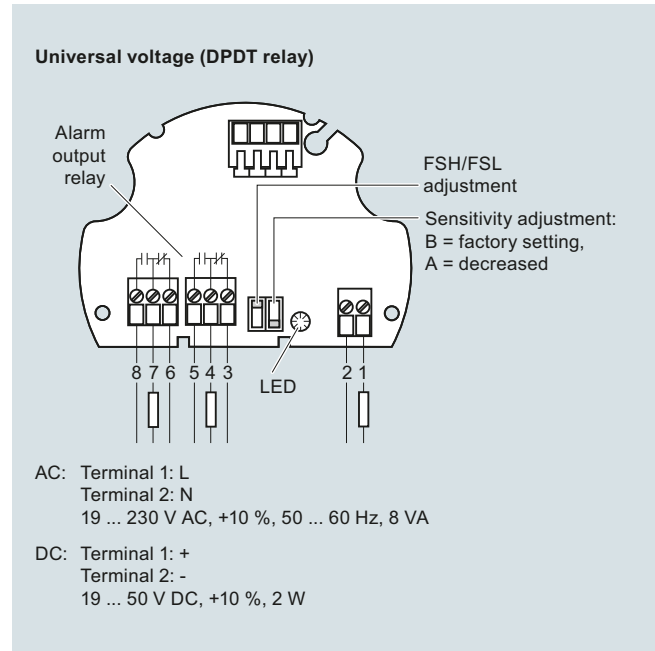
SITRANS LVS100

Dimensional drawings



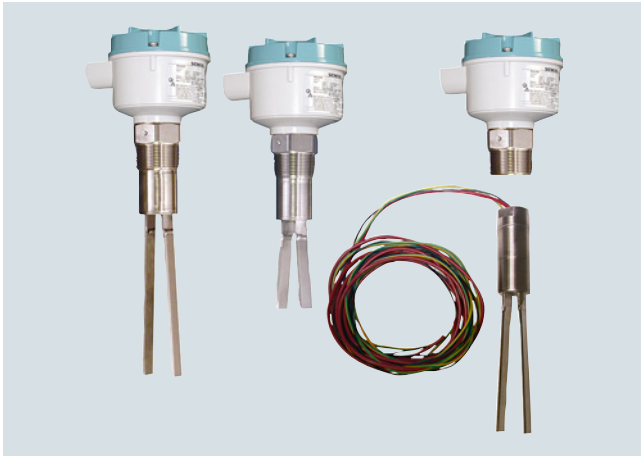
SITRANS LVS100, dimensions in mm (inch)

Circuit diagrams



SITRANS LVS100 connections

Overview



SITRANS LVS200 is a vibrating point level switch for high, low, or demand level detection of bulk solids.

Benefits

- High resistance to mechanical forces
- Strong vibration resistance to high bulk material loads
- Rotatable enclosure for convenient wiring
- Suitable for low density material: standard version, 20 g/l (1.3 lb/ft³); liquid/solid interface version, 50 g/l (3 lb/ft³) and low density option min. 5 g/l (0.3 lb/ft³)
- Customer desired extensions up to 20 000 mm (787 inch)
- Optional detection of solids within liquid
- Durable short fork option with 165 mm (6.5 inch) insertion length

Application

The standard LVS200 detects high, low, or demand levels of dry bulk solids in bins, silos, or hoppers. The liquid/solid interface version can also detect settled solids within liquids or solids within confined spaces such as feed pipes. It is designed to ignore liquids in order to detect the interface between a solid and a liquid.

A pipe extension version is available with either the standard or liquid/solid interface electronics and fork, separated by a customer supplied 1 inch pipe.

SITRANS LVS200 has an optional 4 to 20 mA output for monitoring buildup on the fork to determine when preventative maintenance should be performed in sticky applications.

The LVS200 has a compact design and can be top, side or angle mounted. The vibrating fork design ensures the tines are kept clean. The unique design of the fork and crystal assembly eliminates false high level readings even if tines become damaged.

A signal from the electronic circuit excites a crystal in the probe causing the fork to vibrate. If the fork is covered by material, the change in vibration is detected by the electronic circuitry which causes the relay to change state after a one second delay. When the fork is free from material pressure, full vibration resumes and the relay reverts to its normal condition.

- Key Applications: dry bulk solids in bins, silos, hoppers or settled solids within liquids (interface version)

Level measurement

Point level measurement

Vibrating switches

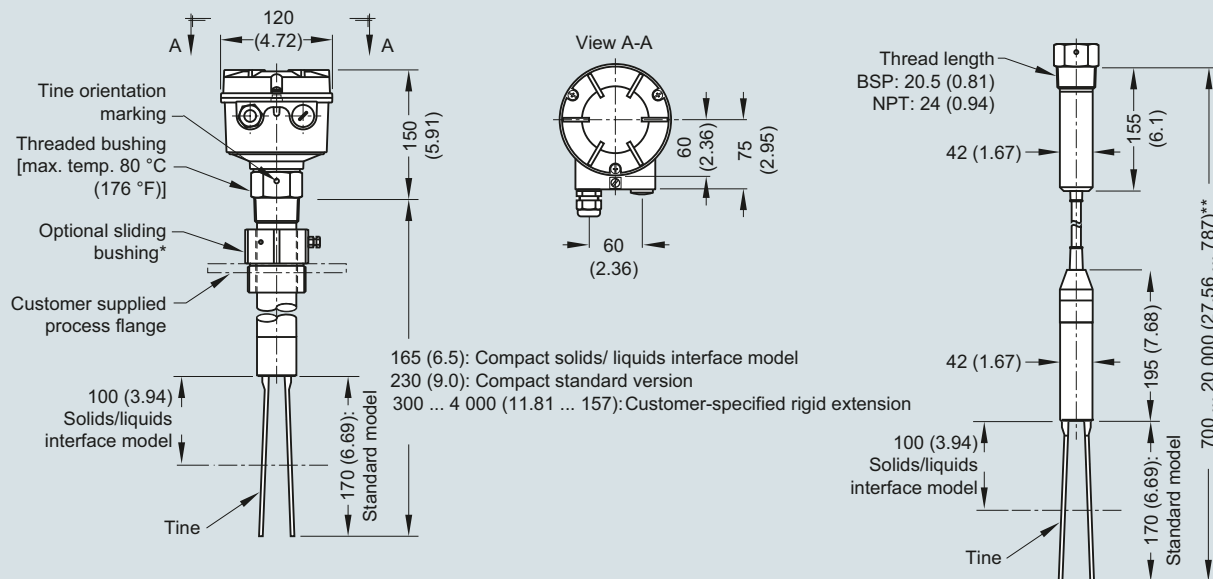
SITRANS LVS200

Technical specifications

Mode of operation	
Measuring principle	Vibrating point level switch
Input	
Measured variable	High, low, and demand
Measuring frequency	
• Standard	125 Hz
• Liquid/solid interface and short fork version	350 Hz
Output	
PNP	Open collector: Permanent load max. 0.4 A, short-circuit and overload protected Turn-on voltage: max. 50 V (reverse protection)
2-wire without contact	Load current: • Min. 10 mA • Max. 500 mA permanent • Max. 2A < 200 ms • Max. 5A < 50 ms Voltage drop on the electronic module: max. 7 V with closed electric circuit Cut-off current with open electric circuit: max. 5 mA
Relays	
• Version with 1 relay	SPDT relay
• Version with 2 relays	DPDT relay
Relay delay	<ul style="list-style-type: none"> From loss of vibration: approximately 1 second From resumption of vibration: approximately 1 ... 2 seconds
Signal delay	<ul style="list-style-type: none"> Probe uncovered to covered: approximately 1 second Probe covered to uncovered: approximately 1 ... 2 seconds
Relay fail-safe	High or low, switch selectable
Alarm output	<ul style="list-style-type: none"> Relay 8 A at 250 V AC, non-inductive Relay 5 A at 30 V DC, non-inductive
mA output	8/16 mA or 4 ... 20 mA
• Resolution	4 ... 20 mA ± 0.1 mA
Sensitivity	
	High or low, switch selectable

Rated operating conditions	
Installation conditions	
• Location	Indoor/outdoor
Ambient conditions	
• Ambient temperature	-40 ... +60 °C (-40 ... +140 °F)
• Storage temperature	-40 ... +80 °C (-40 ... +176 °F)
• Installation category	III
• Pollution degree	2
Medium conditions	
• Process temperature	<ul style="list-style-type: none"> All except CSA Class II, Group G: -40 ... +150 °C (-40 ... +302 °F) CSA Class II, Group G: -40 ... +140 °C (-40 ... +284 °F), CSA temperature code T3B
• Max. threaded bushing temperature	80 °C (176 °F)
• Max. enclosure surface temperature (Category 2D)	90 °C (194 °F)
• Max. extension surface temperature (Category 1D)	150 °C (302 °F)
• Pressure (vessel)	Max. 30 bar g (435 psi g) European Pressure Directive 2014/68/EU: Category 1
• Minimum material density	<ul style="list-style-type: none"> Standard version: approx. 20 g/l (1.2 lb/ft³) Liquid/solid interface version: approx. 50 g/l (3 lb/ft³) Optional low density version: approx. 5 g/l (0.3 lb/ft³)
Design	
Material	
• Enclosure	Epoxy coated aluminum
Process connection	<ul style="list-style-type: none"> Thread 1½" NPT [(Taper), ANSI/ASME B1.20.1], R ½" [(BSPT), EN 10226], and flange options Optional sliding bushing with 2" NPT [(Taper), ANSI/ASME B1.20.1] or BSP thread Thread material: stainless steel 303 (1.4301)
Tine material	Stainless steel 316L (1.4404), PTFE-coated tines are available upon special request
Degree of protection	IP65/Type 4/NEMA 4
Conduit entry	2 x M20 x 1.5 or 2 x ½" NPT (For FM and CSA approved versions only.)
Weight	<ul style="list-style-type: none"> Standard version, no extensions: approx. 2.0 kg (4.4 lb) Solids/liquids version, no extensions: approx. 1.9 kg (4.2 lb)
Power supply	
	<ul style="list-style-type: none"> 19 ... 230 V AC, +10 %, 50 ... 60 Hz, 8 VA 19 ... 55 V DC, +10 %, 1.5 W
Certificates and approvals	
	<ul style="list-style-type: none"> CSA/FM General Purpose CE CSA/FM Dust Ignition Proof RCM ATEX II 1/2 D CSA/FM IS Class I, II, III Div. 1, Groups A, B, C, D, E, F, G, FM Class I, Aex ia IIC, CSA Class I, Ex ia IIC, available only with power supply options 5 and 6 ATEX II 1G and 1/2 G Eex ia IIC; ATEX II 1D and 1/2 D, available only with power supply option 5

Dimensional drawings



Notes:

- * The clamping screws of the sliding bushing must be tightened to 10 Nm.
- ** Cable version with liquids/solids interface model option length to 7 000 mm (275.59 inch)
Cable version with NAMUR electronics length to 10 000 mm (393.7 inch) tightened to 10 Nm.
See manual for pipe extended version details. (Pipe is customer supplied.)

SITRANS LVS200, dimensions in mm (inch)

Level measurement

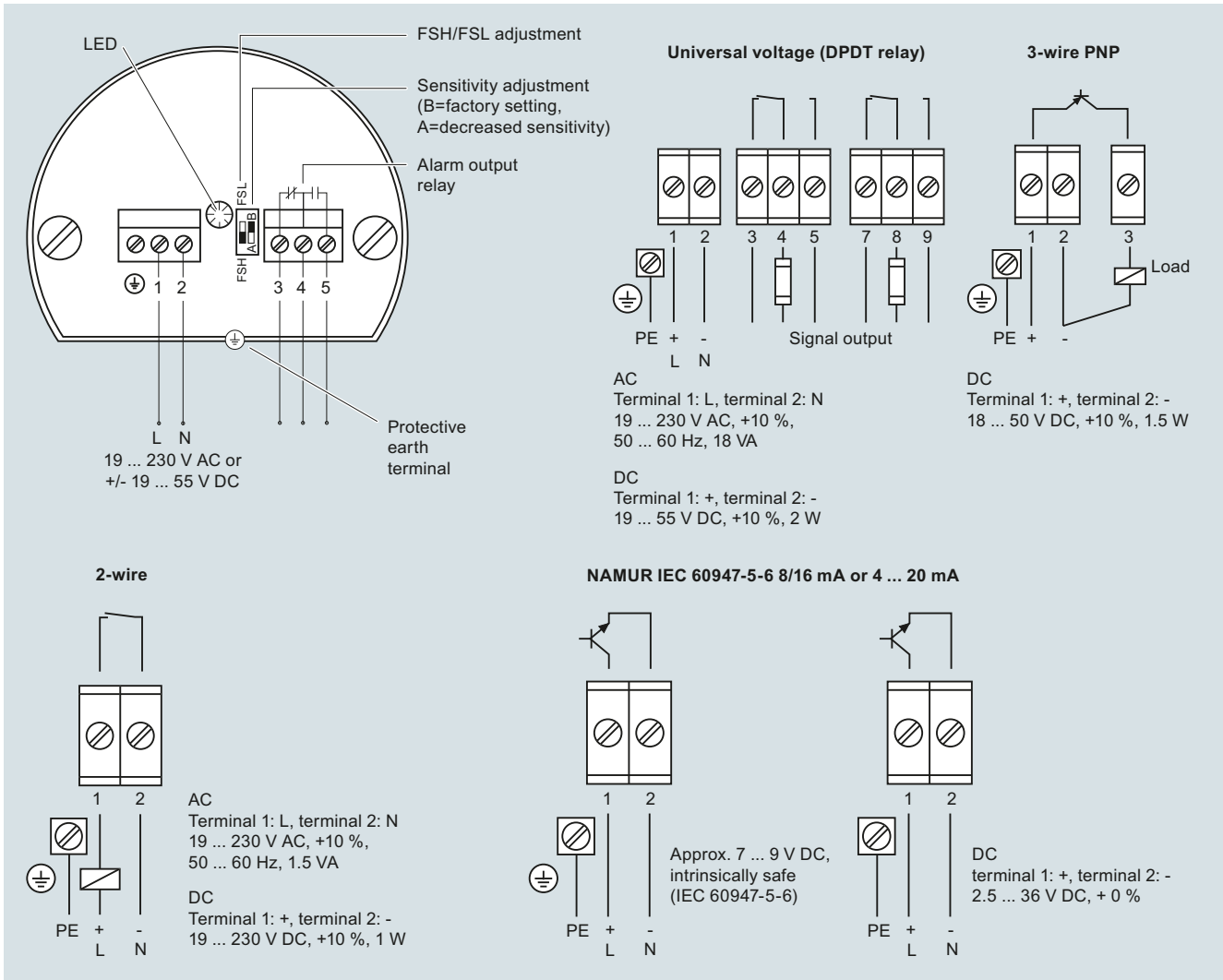
Point level measurement

Vibrating switches

SITRANS LVS200

Circuit diagrams

4



SITRANS LVS200 connections

Overview



SITRANS LVS300 is a vibrating rod point level switch for high, low, or demand level detection of bulk solids.

Benefits

- High resistance to mechanical forces.
- Adjustable sensitivity for varied applications including build-up.
- Rotatable enclosure for convenient wiring.
- Suitable for low density material: standard version, 20 g/l (1.3 lb/ft³).
- Customer desired extensions up to 4 000 mm (157 inch).
- 160 mm (6.3 inch) insertion length.
- Flexible, customer supplied, rods to 4 meters.
- Process connections starting at 1 inch.

Application

The standard LVS300 detects high, low, or demand levels of dry bulk solids in bins, silos, or hoppers.

A pipe extension version is available, separated by a customer supplied 1 inch pipe.

The LVS300 has a compact design and can be top, side or angle mounted. The vibrating rod design ensures the product will not be impacted by bridging of traditional forks in applications with buildup potential. A durable probe design ensures the product will withstand heavier materials without damage or bending.

A signal from the electronic circuit excites a crystal in the probe causing the rod to vibrate. If the rod is covered by material, the change in vibration is detected by the electronic circuitry which causes the output to change state after a one second delay. When the probe is free from material, full vibration resumes and the relay reverts to its normal condition.

- Key Applications: dry or bulk solids with buildup potential, in bins, silos, or hoppers, such as lime, molding sand, milk powder, flour, salt, and plastic granules.

Level measurement

Point level measurement

Vibrating switches

SITRANS LVS300

Technical specifications

Mode of operation		Rated operating conditions	
Measuring principle	Vibrating point level switch	Installation conditions	
Input		• Location	Indoor/outdoor
Measured variable	High, low, and demand	Ambient conditions	
Measuring frequency		• Ambient temperature	-40 ... +60 °C (-40 ... +140 °F)
• Standard	330 Hz	• Storage temperature	-40 ... +80 °C (-40 ... +176 °F)
Output		• Installation category	II
PNP	Open collector: Permanent load max. 0.4 A, short-circuit and over-load protected (reverse protection)	• Pollution degree	2
Relay	DPDT relay	Medium conditions	
Signal delay	<ul style="list-style-type: none"> Probe uncovered to covered: approximately 1 second Probe covered to uncovered: approximately 1 ... 2 seconds 	• Process temperature	-40 ... +150 °C (-40 ... +302 °F)
Relay fail-safe	High or low, switch selectable	• Pressure (vessel)	Max. 16 bar g (232 psi g) European Pressure Directive 2014/68/EU: Category 1
Alarm output	<ul style="list-style-type: none"> Relay 8 A at 250 V AC, non-inductive Relay 5 A at 30 V DC, non-inductive 	• Minimum material density	Approx. 20 g/l (1.2 lb/ft ³)
Sensitivity	Four sensitivity settings, switch selectable	Design	
		Material	Aluminum powder coat
		• Enclosure	
		Process connection	<ul style="list-style-type: none"> G 1", G 1 1/4", G 1 1/2" DIN 228; NPT 1", NPT 1 1/4", NPT 1 1/2" ANSI B 1.20.1 Flange: according to selection 1.4541 (321) or 1.4404 (316L) Tri-clamp: stainless steel 1.4301 (304) or 1.4404 (316L) 2" (DN 50) ISO 2852
		Probe material	<ul style="list-style-type: none"> Oscillator material: stainless steel 1.4404 (316L) Stainless steel 1.4301 (304)/1.4541 (321) or 1.4404 (316L) (process connection and tube extension)
		Degree of protection	IP67 (EN 60529), NEMA Type 4X
		Conduit entry	2 x M20 x 1.5 or 2 x 1/2" NPT
		Weight	<ul style="list-style-type: none"> Standard version: 1.3 kg (2.9 lb) + 1.3 kg/m (+2.9 lb per 39.3 inch) extension Customer supplied pipe: 1.8 kg (4.0 lb) + 1.3 kg/m (+2.9 lb per 39.3 inch) extension
		Power supply	<ul style="list-style-type: none"> Relay DPDT 21 ... 230 V, 50 ... 60 Hz, ± 10 %* 22 VA, 22 ... 45 V DC, ± 10 %* 2W *incl. ± 10 % of EN 61010 3-wire PNP 20 ... 40 V DC, ± 10 %* *incl. ± 10 % of EN 61010
		Certificates and approvals	CE, ATEX, FM

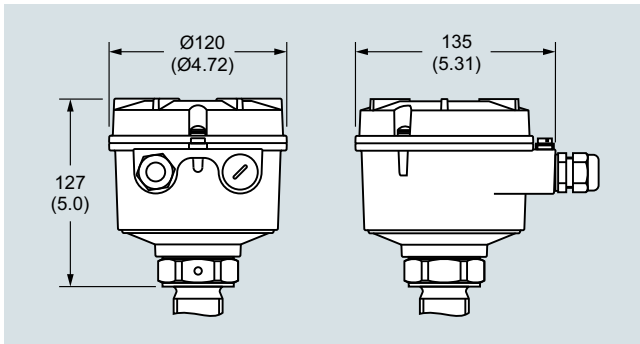
Level measurement

Point level measurement

Vibrating switches

SITRANS LVS300

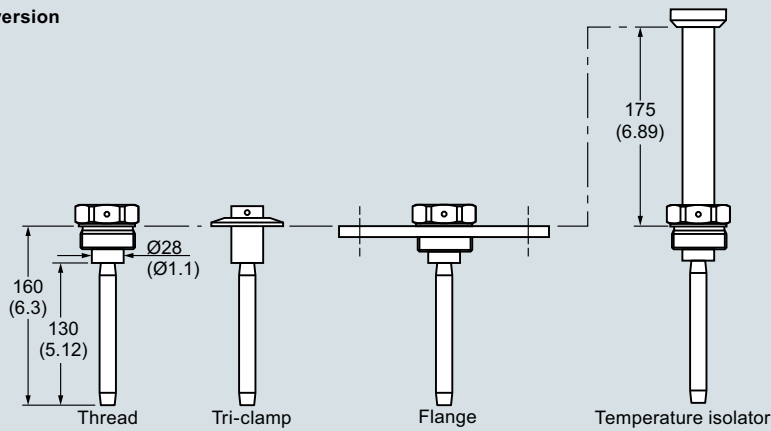
Dimensional drawings



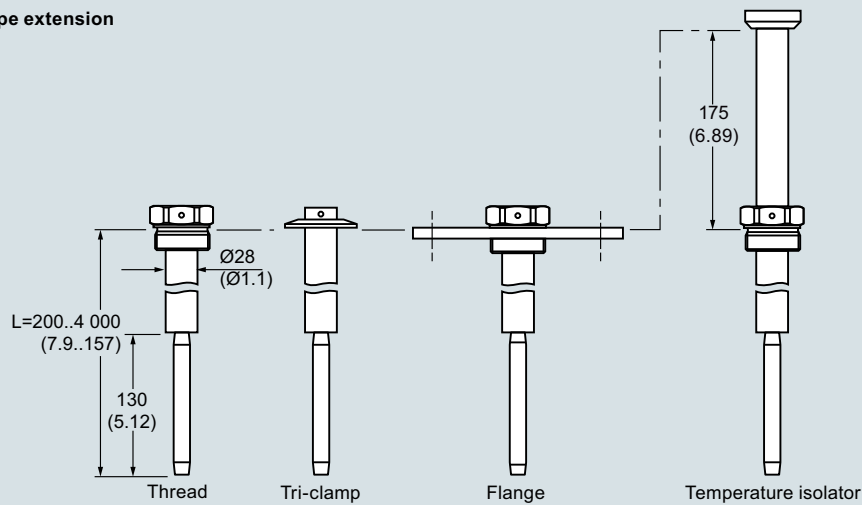
SITRANS LVS300 enclosure, dimensions in mm (inch)

Dimensional drawings

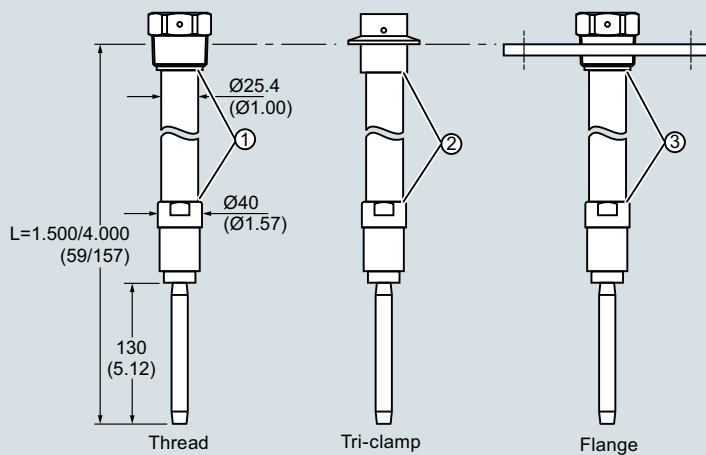
Compact version



Pipe extension



Pipe extension - customer mounted



	Approval	Process connection	Thread on extension pipe
①	CE, ATEX	G 1½"	R 1"
	FM	NPT 1½"	NPT 1"
②	Approval	Thread on extension pipe	
	CE, ATEX	R 1"	
	FM	NPT 1"	
③	Approval	Process connection	Thread on extension pipe
	CE, ATEX	Flange DN	R 1"
		Flange ANSI	NPT 1"
FM	Flange DN Flange ANSI	NPT 1"	

SITRANS LVS300, dimensions in mm (inch)

Level measurement

Point level measurement

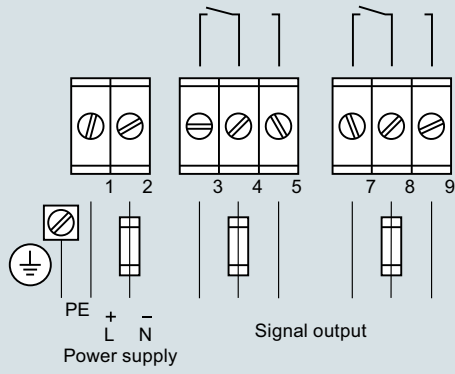
Vibrating switches

SITRANS LVS300

Circuit diagrams

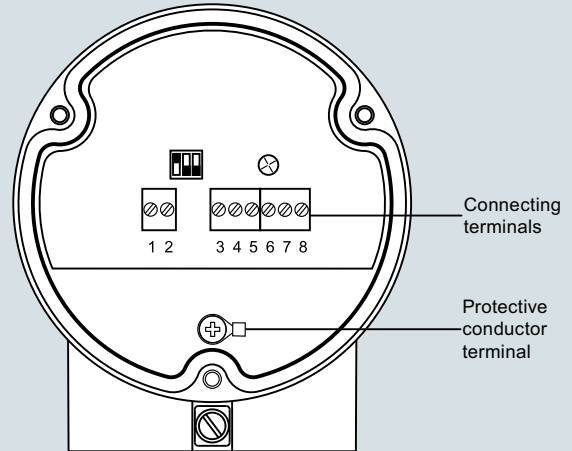
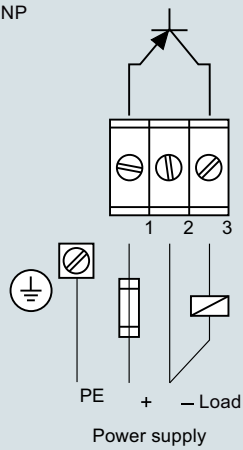
Universal voltage

Relay DPDT



3-wire

PNP



SITRANS LVS300 connections